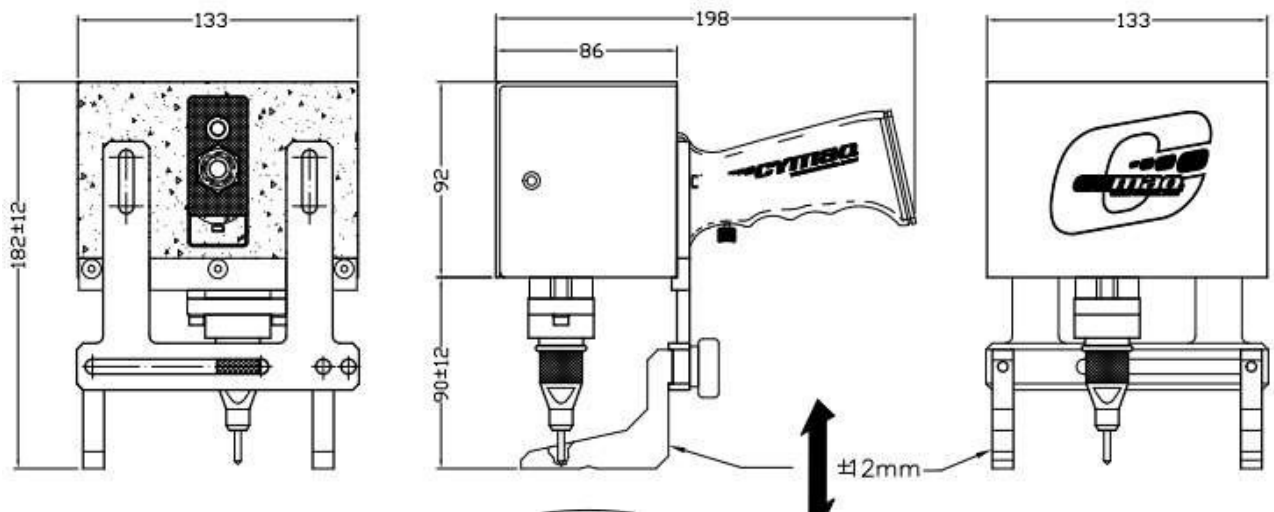


DS6040P MARKING HEAD

Portable dot peen marking unit with compact design, robust, light and easy to handle, especially suitable for marking heavy parts, large or difficult to move; for marking tubes, racks, profiles, machined parts, plates, etc. Patented technology "Differential System ®".

CHARACTERISTICS

- 60 x 40 marking area.
- Portable.
- Operation modes: push-up marking, autopipe marking, pantograph.
- Electromagnetic or pneumatic pin activation (4-6 bar).
- Speed up to 12 characters/second
- Pneumatic pin activation: N14, N20.
- Electromagnetic pin activation: S4.
- 5 meter robotics cable, with customisation possibilities.
- Connetion with CYMAQ control unit: AS200,AS400.
- Low maintenance.



Area	Dimensions (mm)			Weight
	X x Y	Width	Depth	
60 x 40	133	198	182±12	1,9