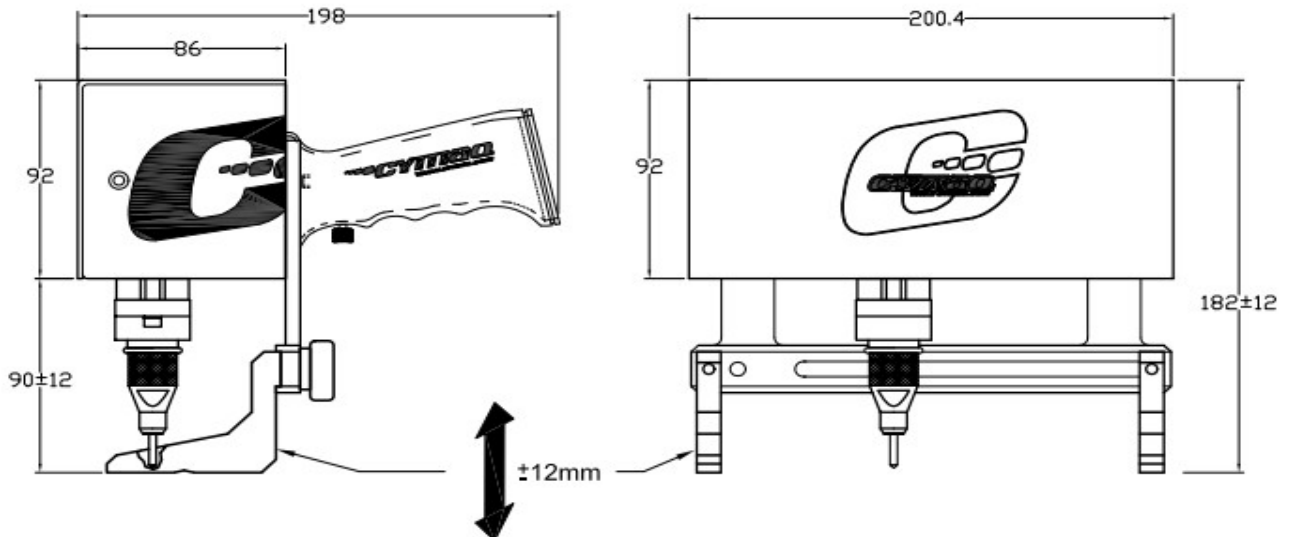


DS12040P MARKING HEAD

Portable dot peen marking unit with compact design, robust, light and easy to handle, especially suitable for marking heavy parts, large or difficult to move; for marking tubes, racks, profiles, machined parts, plates, etc. Patented technology "Differential System ®".

CHARACTERISTICS

- 120 x 40 marking area.
- Portable
- Operation modes: push-up marking, autopipe marking, pantograph.
- Electromagnetic or pneumatic pin activation (4-6 bar).
- Speed up to 12 characters/second
- Pneumatic pin activation: N14, N20.
- Electromagnetic pin activation: S4.
- 5 meter robotics cable, with customisation possibilities.
- Connection with CYMAQ control unit: AS200, AS400.
- Low maintenance.



| Area | Dimensions (mm) | | | Weight |
|----------|-----------------|-------|--------|--------|
| | Width | Depth | Height | Kg |
| 120 x 40 | 200,4 | 198 | 182+12 | 3 |